

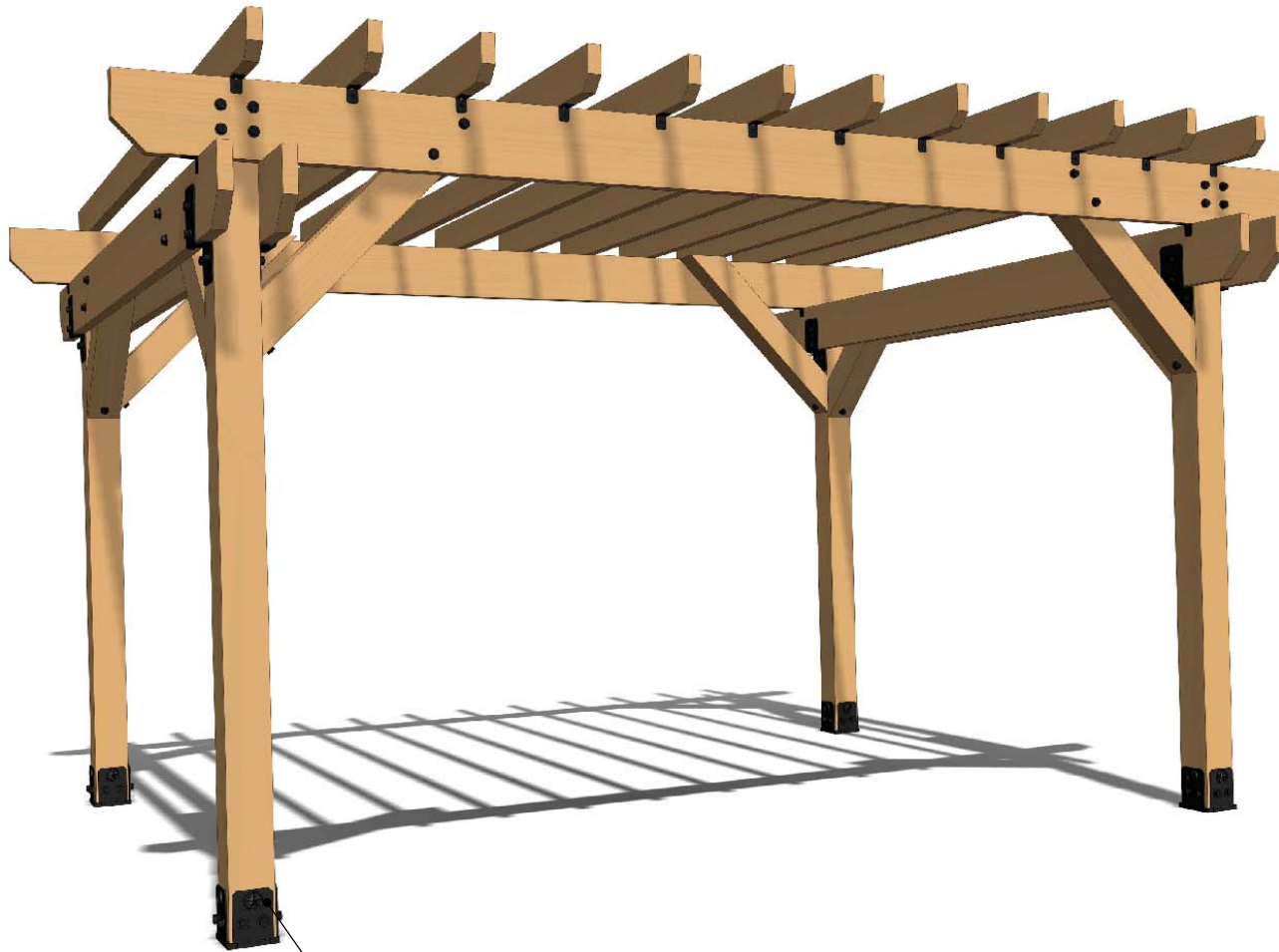
DESIGN

PURCHASE

CONSTRUCT

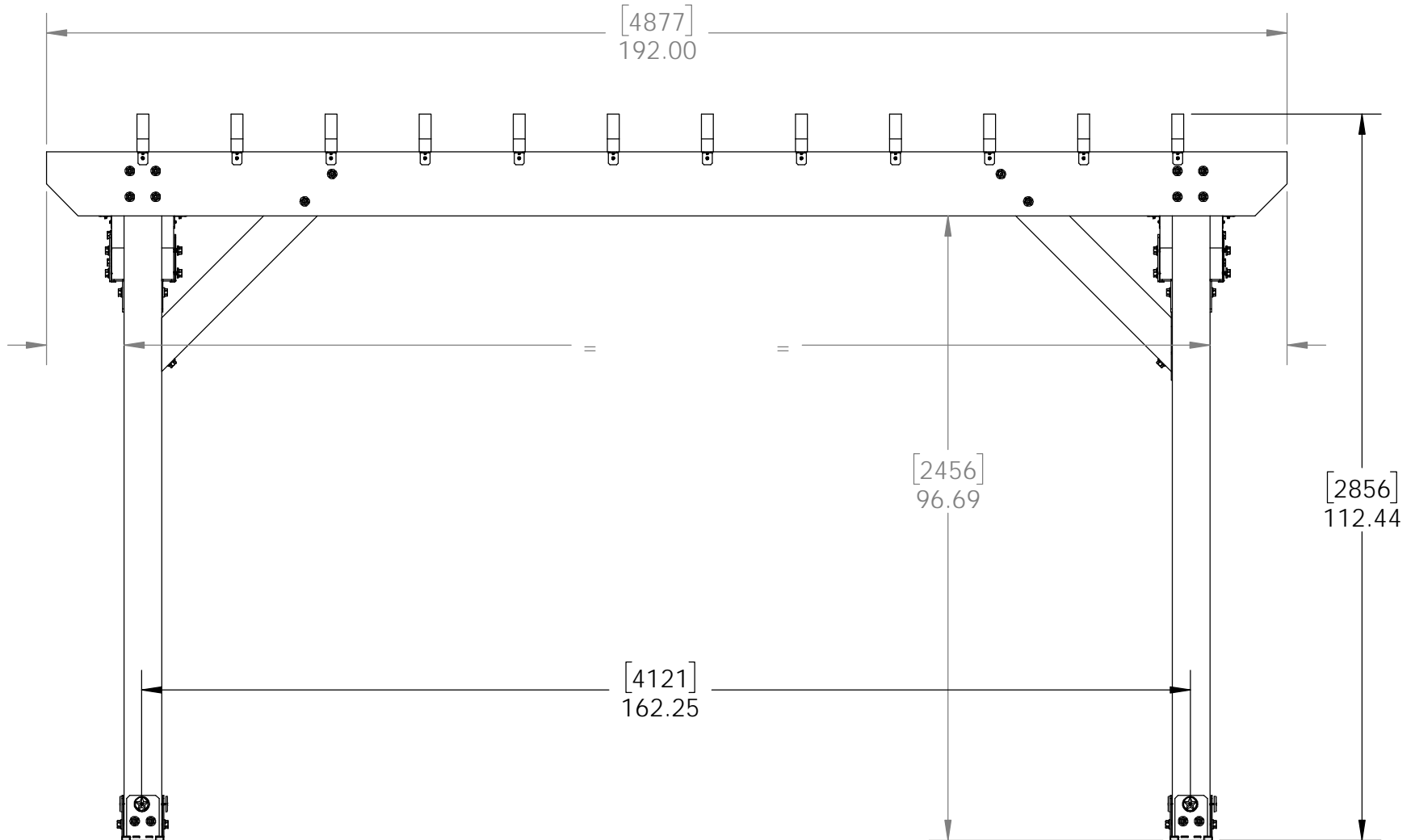
ENJOY

OZCO Project #301 - Deck Pergola with 6x6 Posts



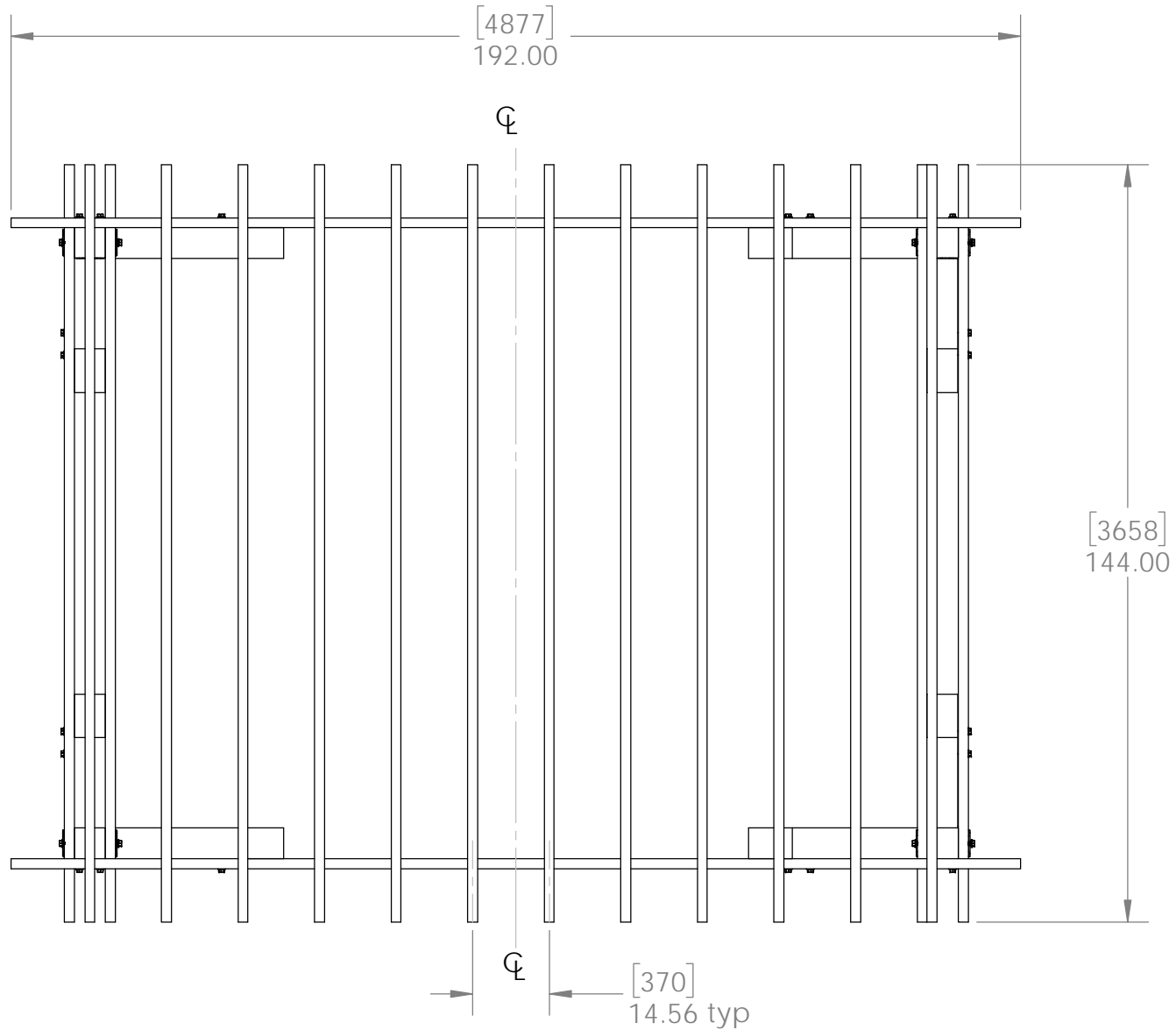
post base shown with
optional 2-3/8" Star (56623)





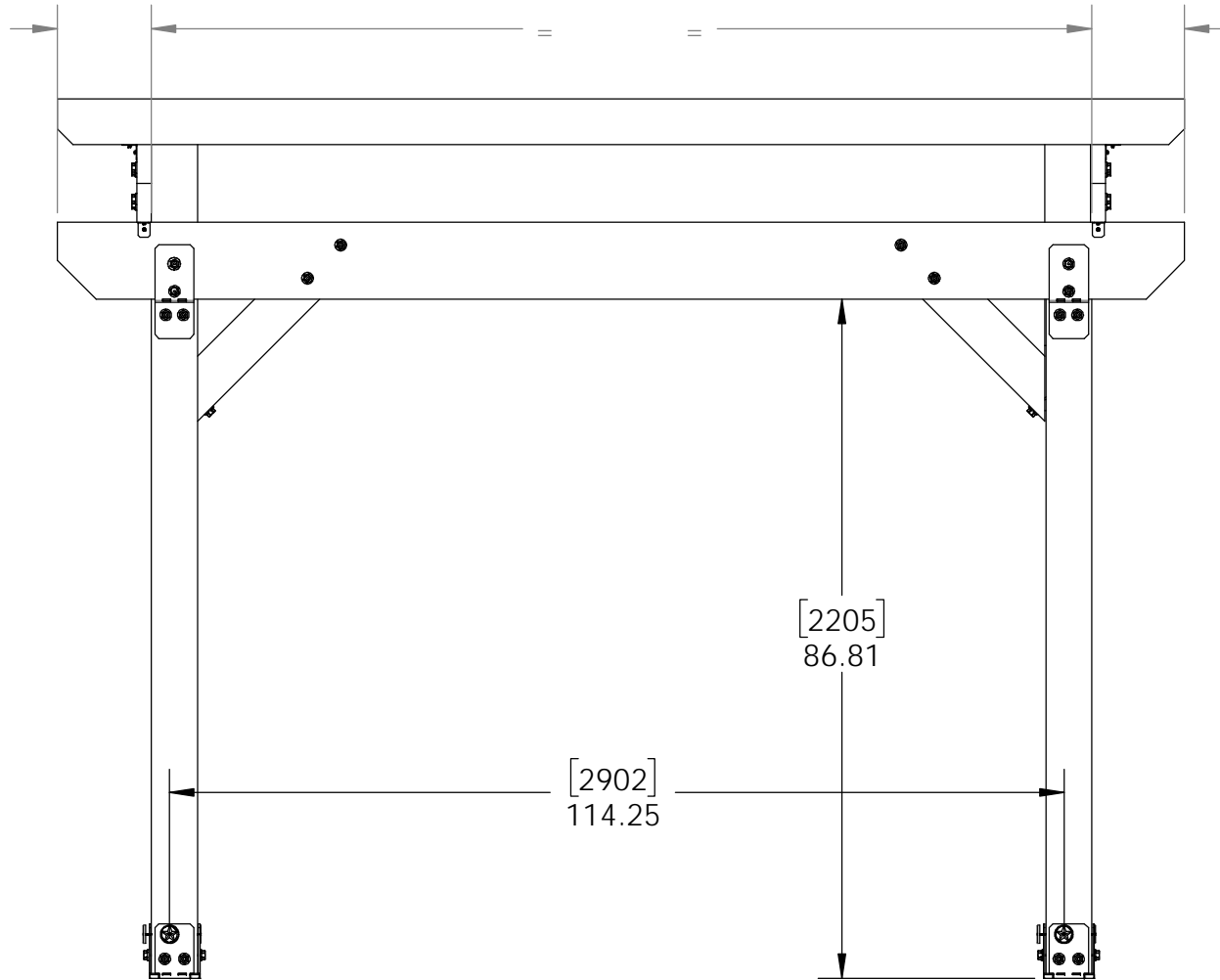
Overview-Front

OZCO Project #301 - Deck Pergola with 6x6 Posts



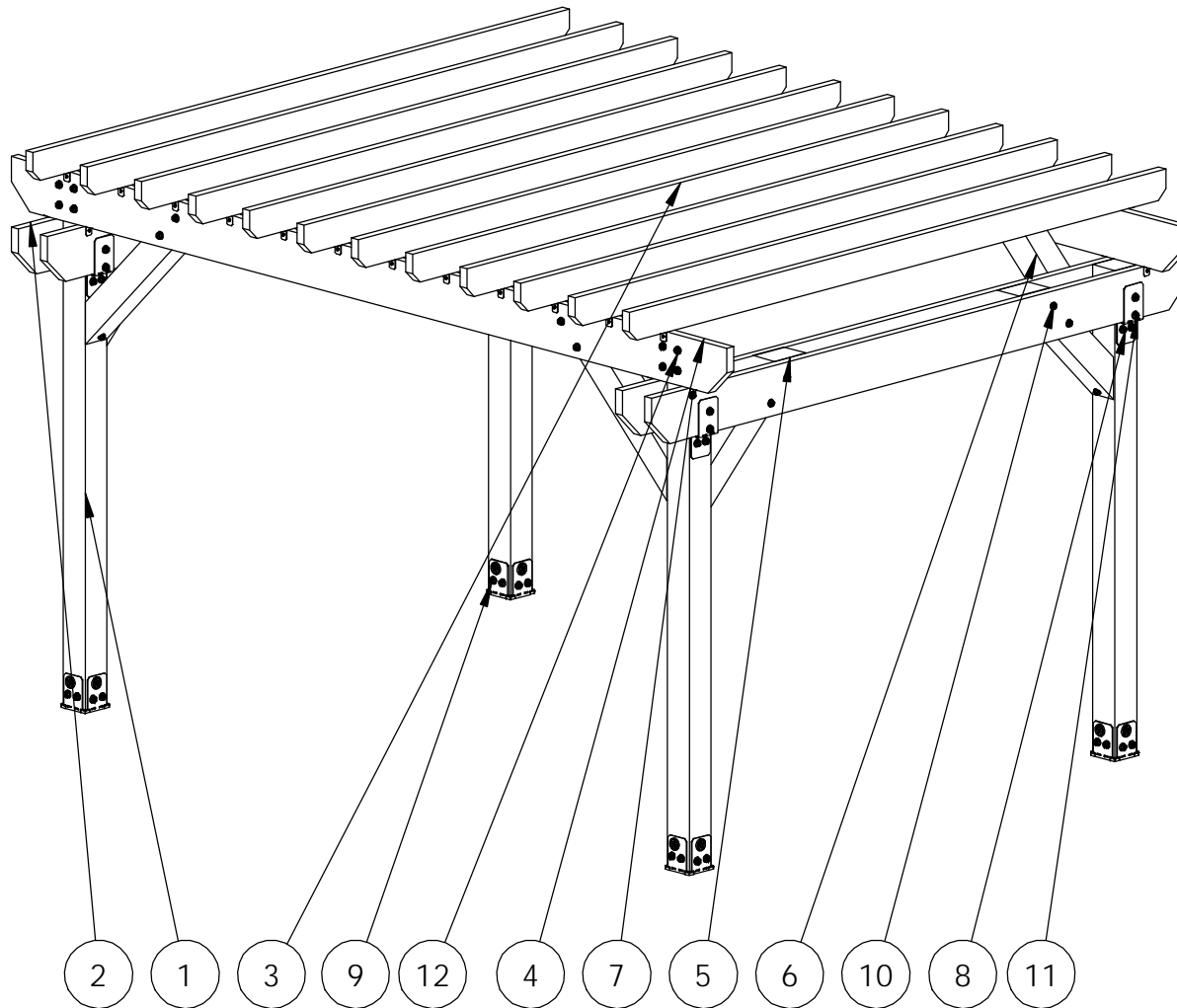
Overview-Top

OZCO Project #301 - Deck Pergola with 6x6 Posts



Overview-Right

OZCO Project #301 - Deck Pergola with 6x6 Posts



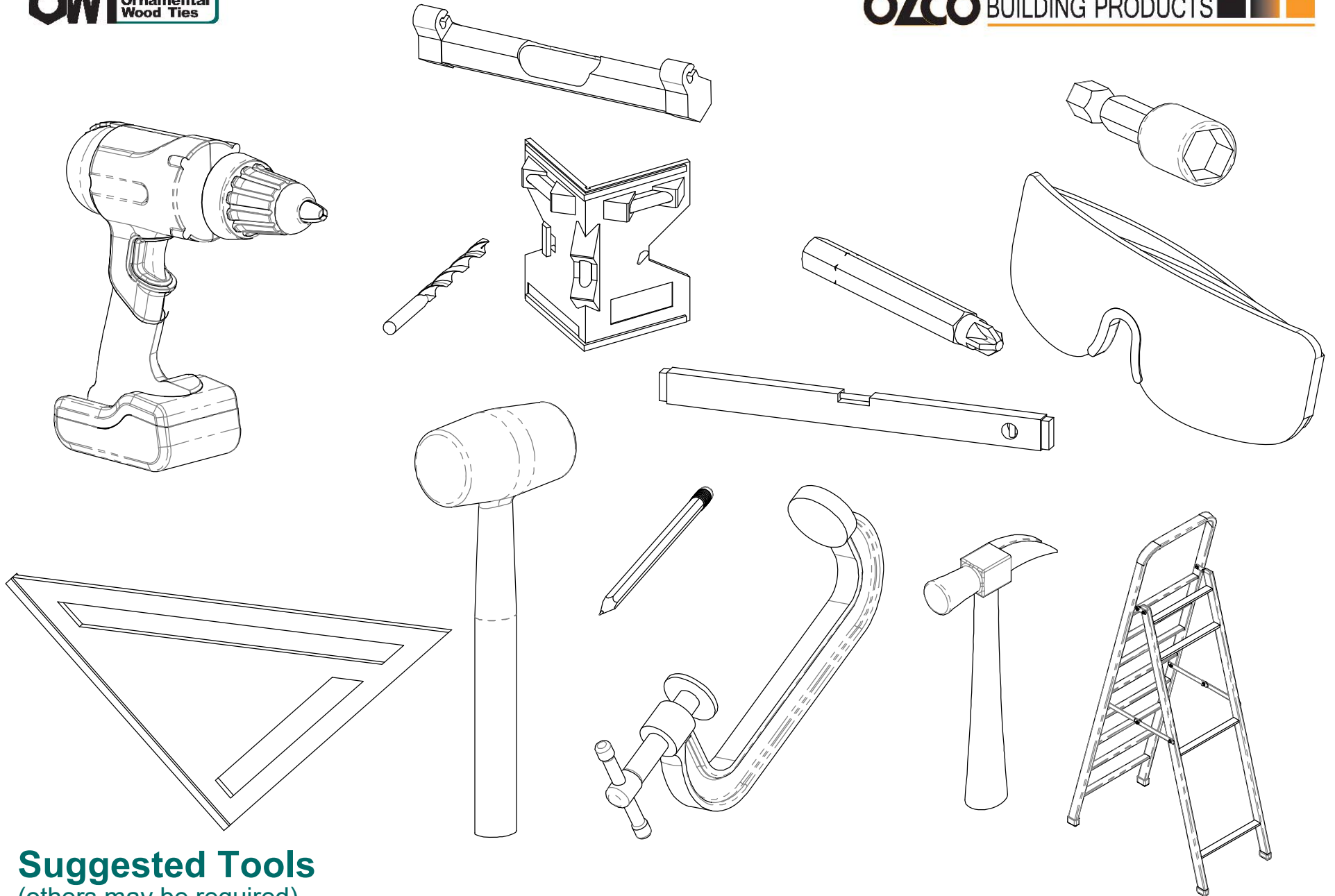
ITEM NO.	QTY.	PART NUMBER	DESCRIPTION
1	4	6x6 Cedar Post	6x6x96.00
2	4	2x10 Cedar Board	2x12x144.00
3	12	2x6 Cedar Board	2x6x144.00
4	2	2x10 Cedar Board	2x10x192.00
5	4	6x6 Cedar Support	6x6x36.00
6	4	6x6 Cedar Support	6x6x48.00
7	4	51717	2" Standard Rafter Clips (RC-IW-2)
8	4	51737	Bolt Inline (P2B-BI-IW)
9	4	51708	6x6 Post Base (6x6-PB-IW)
10	1	56628	Screw, OWT 5-3/4" (145mm) Timber with HCN
11	4	56651	OWT Timber Bolt 8-10"
12	1	56625	Screw, OWT 1-3/4" (45mm) Timber with HCN

Bill of Material

OZCO Project #301 - Deck Pergola with 6x6 Posts

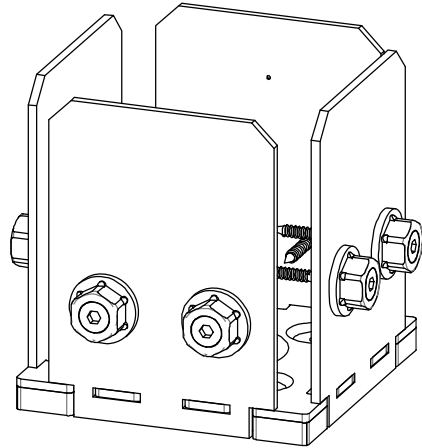
QTY	PART NUMBER	DESCRIPTION
4	51708	6x6 Post Base (6x6-PB-IW)
2	56623	2-3/8" OD Star
4	51717	2" Standard Rafter Clip (RC-IW-2)
1	56628	Screw, OWT 5-3/4" (145mm) Timber with HCN
4	56621	1 1/2" Hex Cap Nut (HCN)
4	56651	OWT Timber Bolt 8-10"
4	51737	Post to Beam Bolt Inline (P2B-BI-IW)
1	56625	Screw, OWT 1-3/4" (45mm) Timber with HCN
6	6x6x8L	6x6x8
4	2x10x12L	2x10x12
2	2x10x16L	2x10x16
12	2x6x12L	2x6x12
1	6x6x12L	6x6x12

Material List

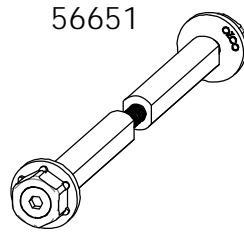


Suggested Tools
(others may be required)

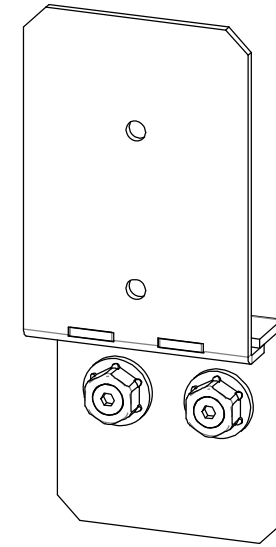
OZCO Project #301 - Deck Pergola with 6x6 Posts



51708



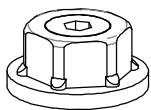
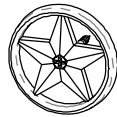
56651



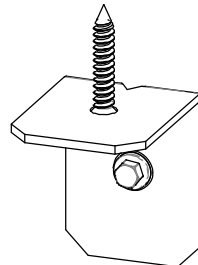
51737



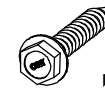
optional
56623



56621



51717



56625



56628

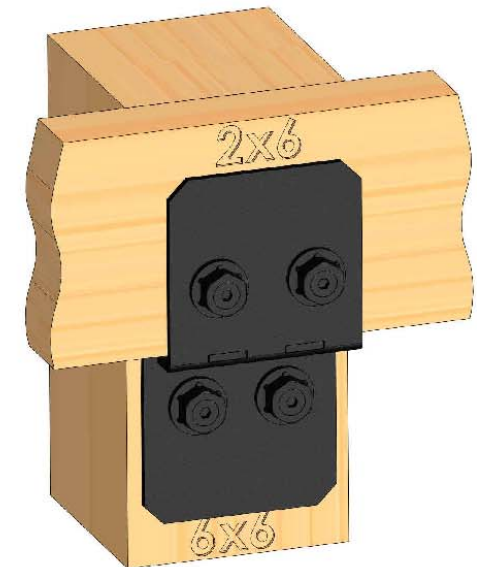
Laredo Sunset & Ironwood



Laredo Sunset
(566XX series)

2 great styles
Same functionality
choose your
connection lifestyle

both styles available for
most products

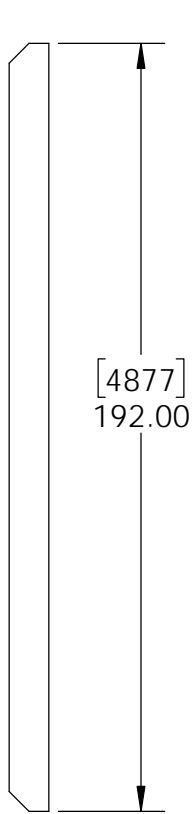


Ironwood
(517XX series)

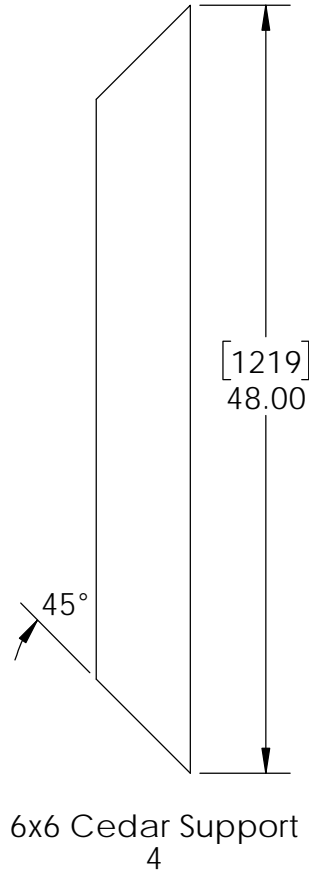
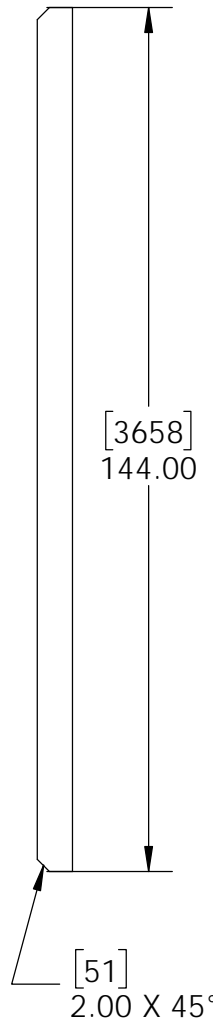


OZCO BUILDING PRODUCTS ■ ■ ■ ■

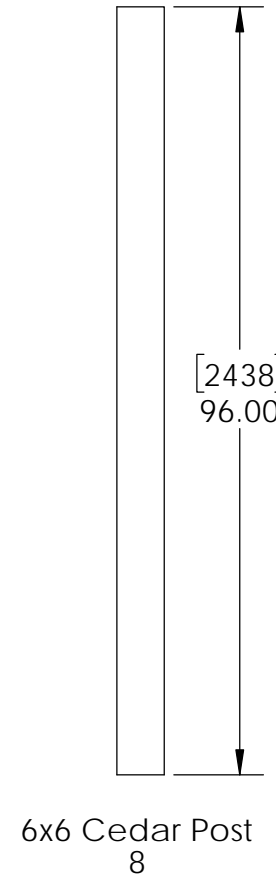
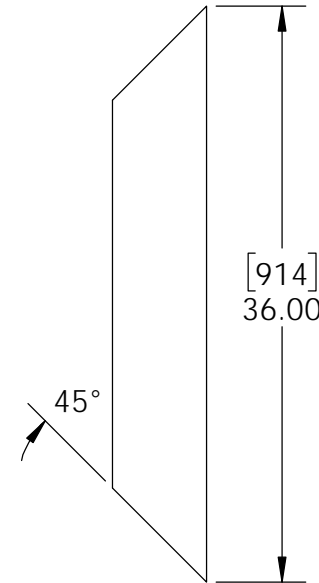
2x6 Cedar Board
12 with Chamfer 2" ends



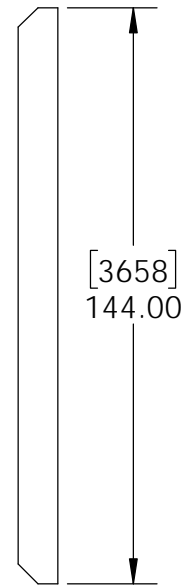
2x10 Cedar Board
16 with 45 deg cuts



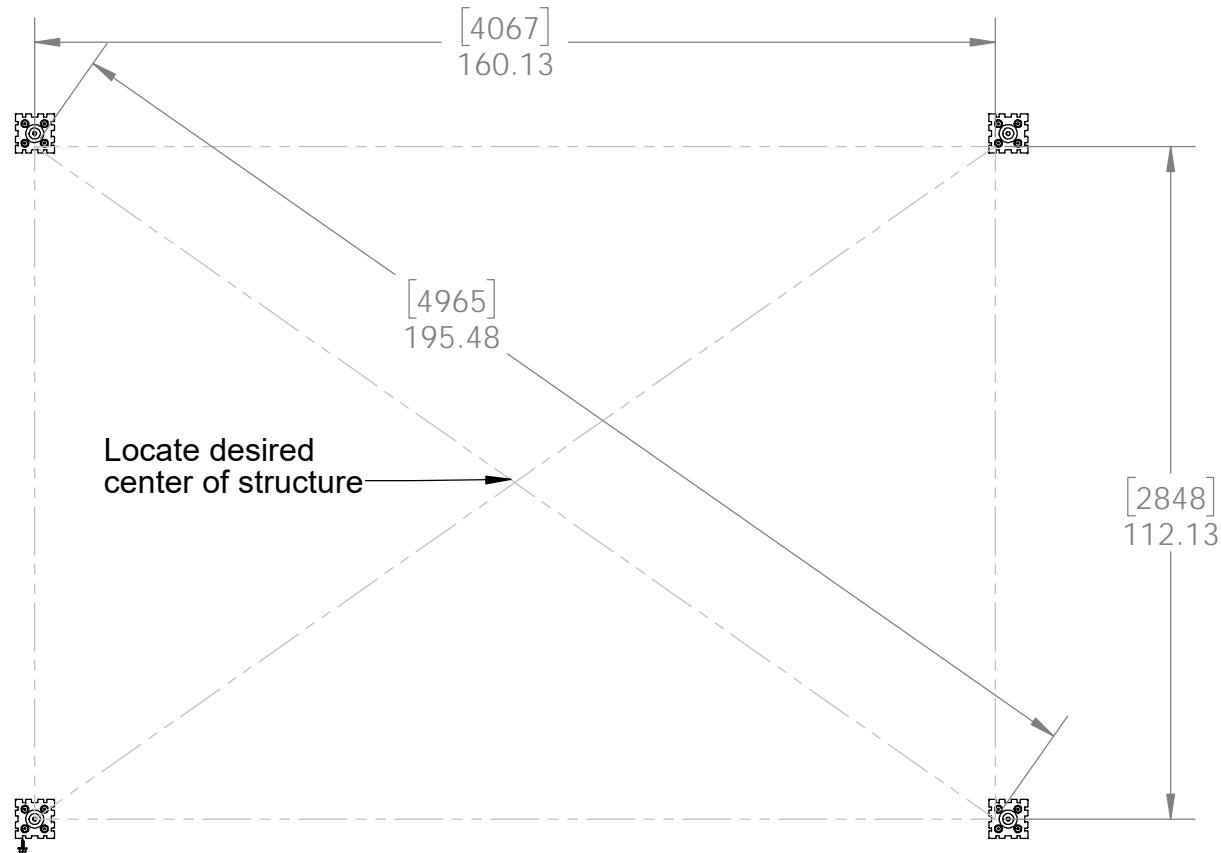
6x6 Cedar Support
3



2x10 Cedar Board
12 with 45 deg cuts



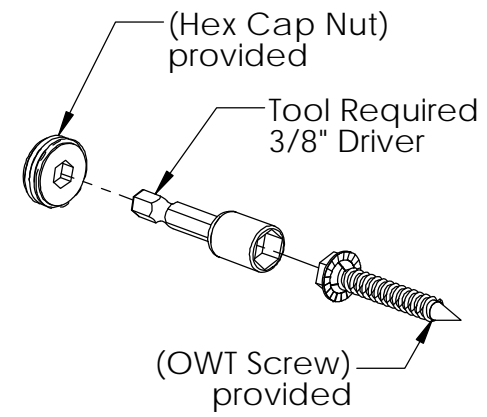
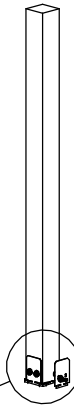
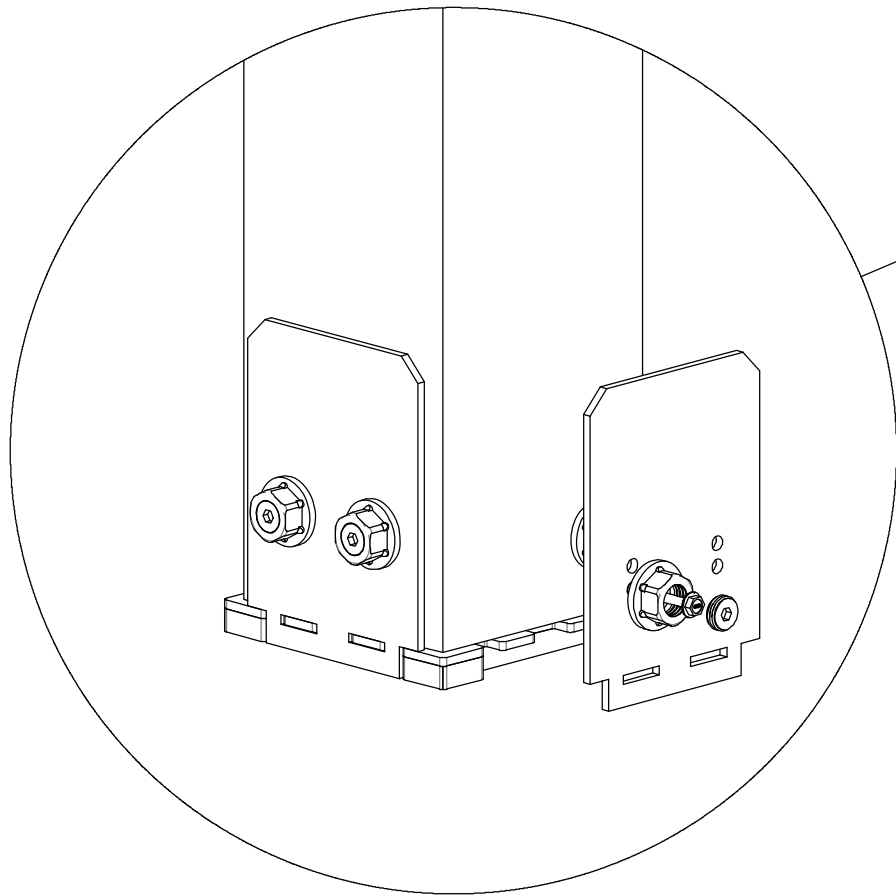
Cutlist



if site is not level,
see Ozco Site Leveling instruction

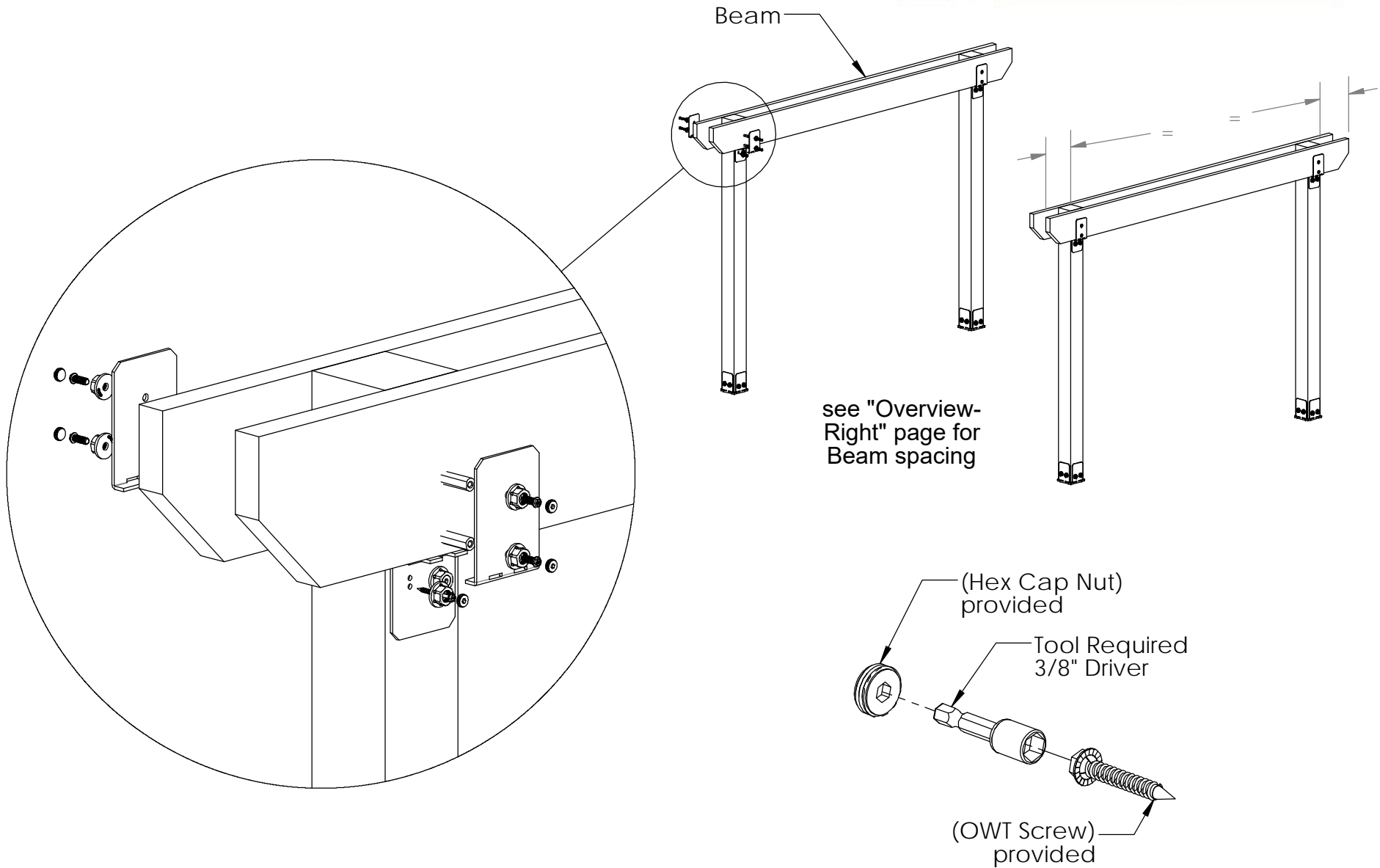


Site Plan



step 1

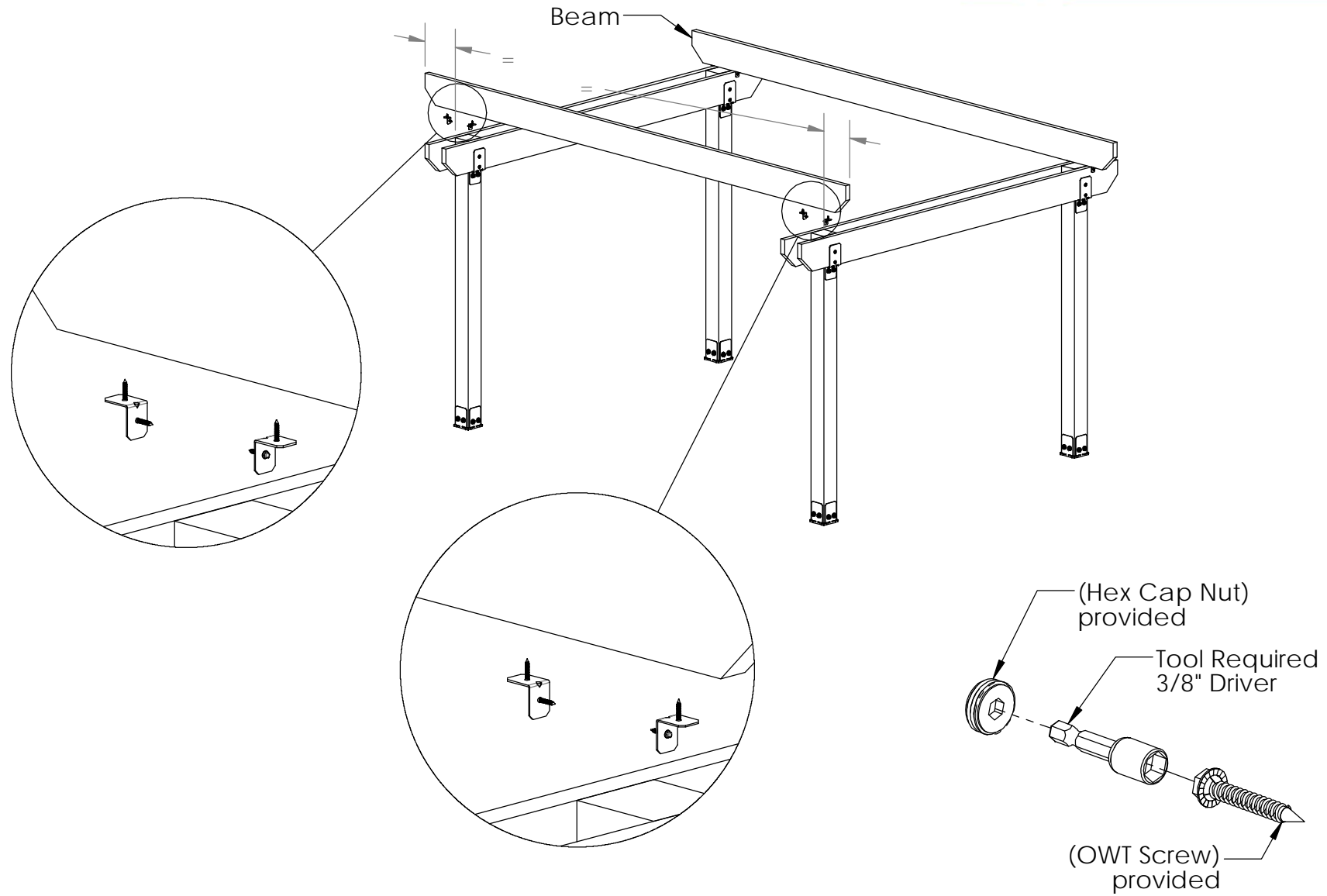
OZCO Project #301 - Deck Pergola with 6x6 Posts



see "Overview-Right" page for Beam spacing

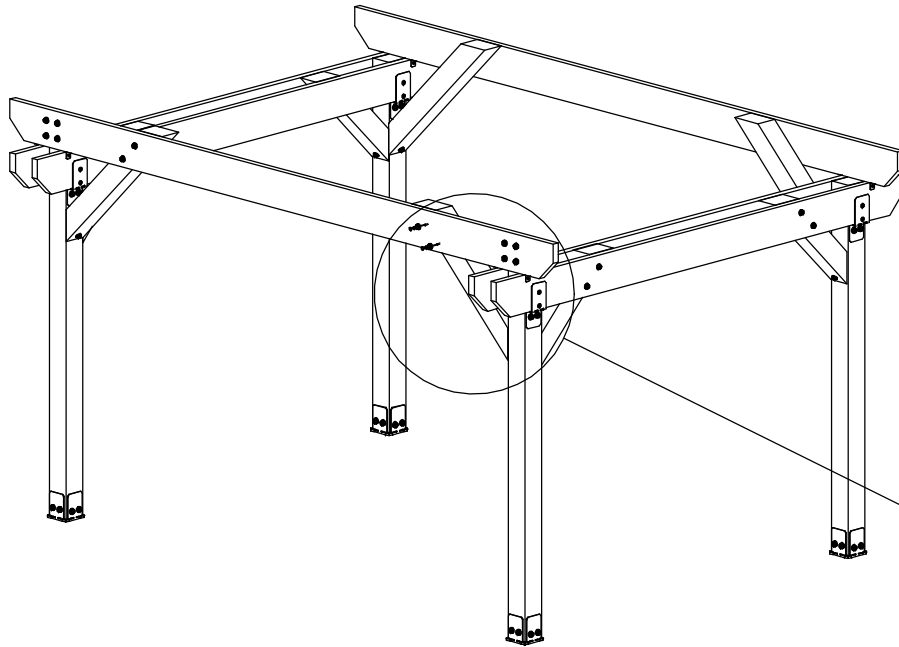
step 2

OZCO Project #301 - Deck Pergola with 6x6 Posts

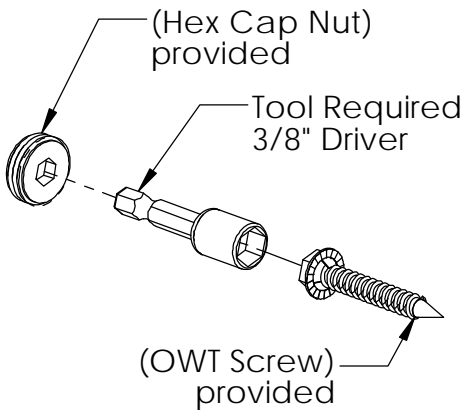
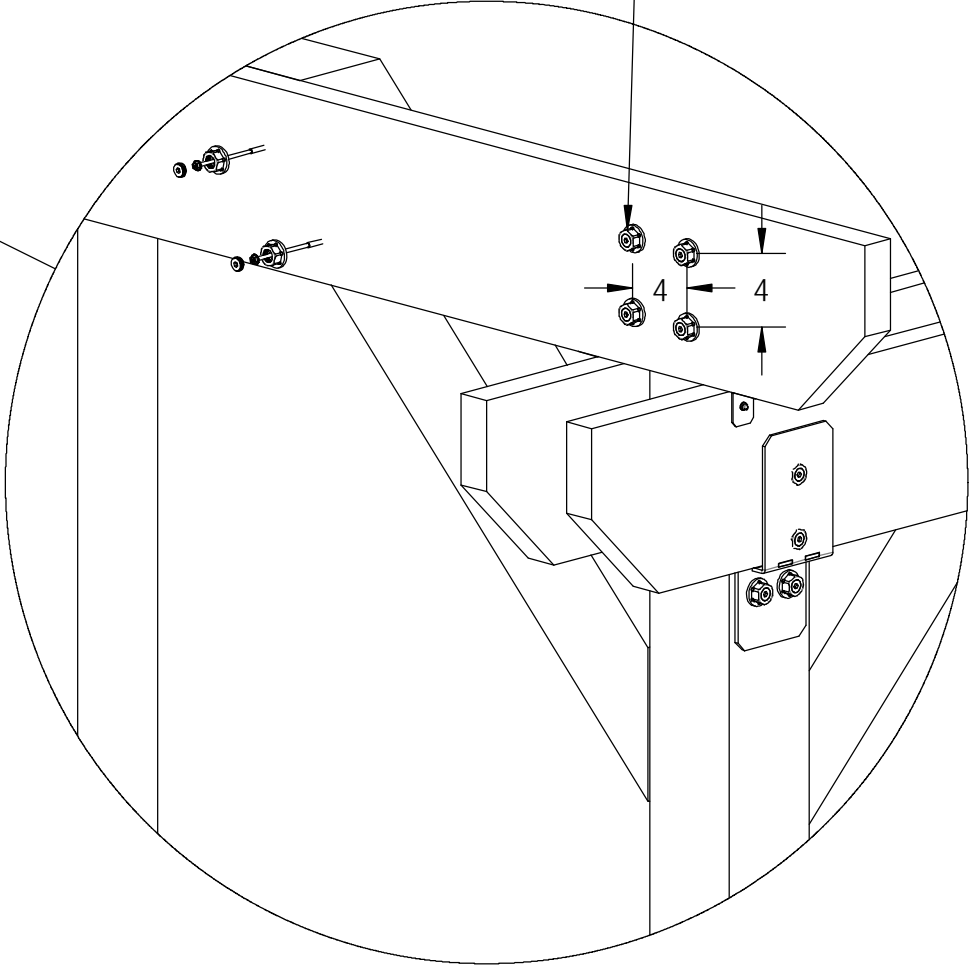


step 3

OZCO Project #301 - Deck Pergola with 6x6 Posts

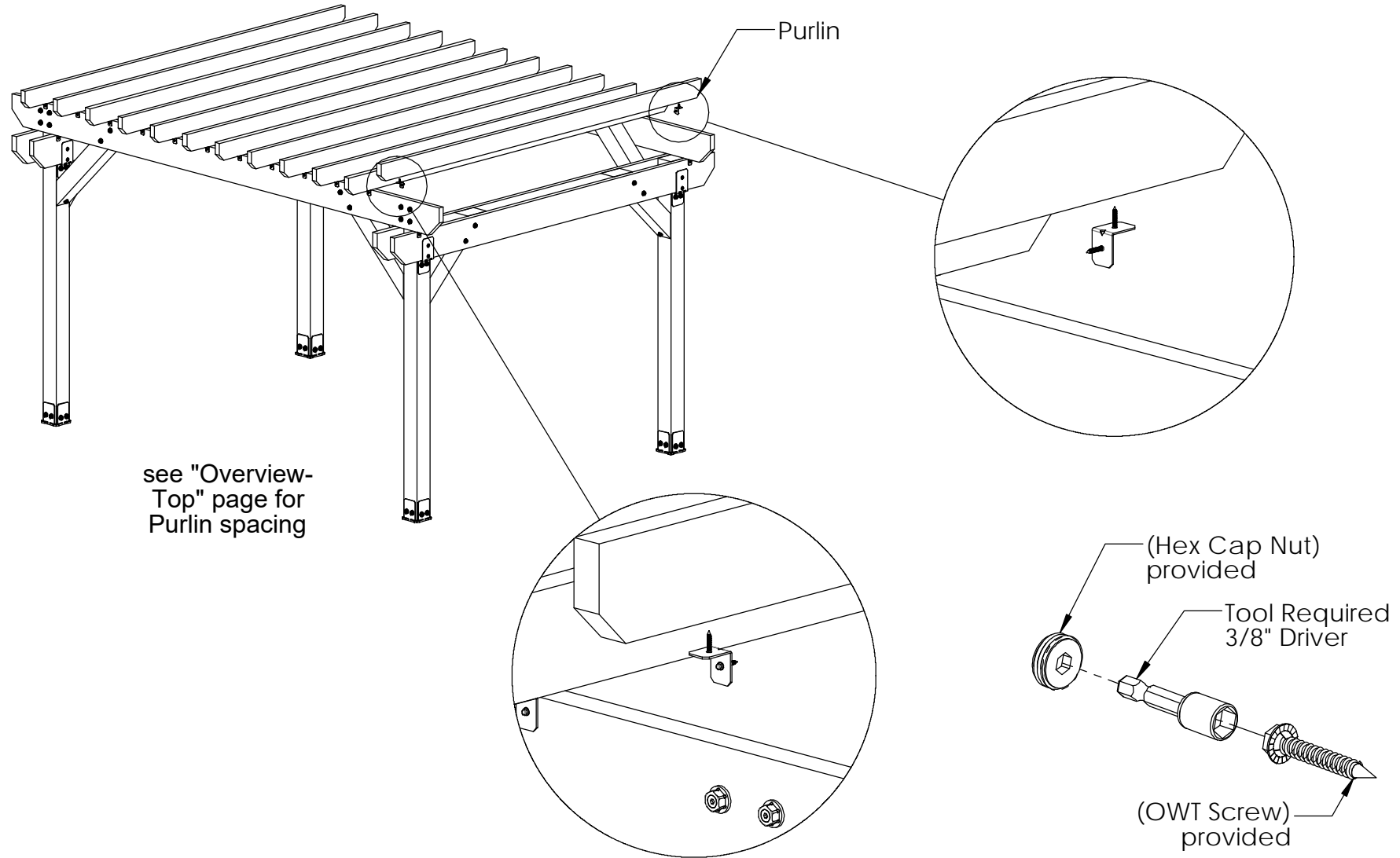


install in decorative (4"x4") pattern centered on post and beam



step 4

OZCO Project #301 - Deck Pergola with 6x6 Posts



step 5